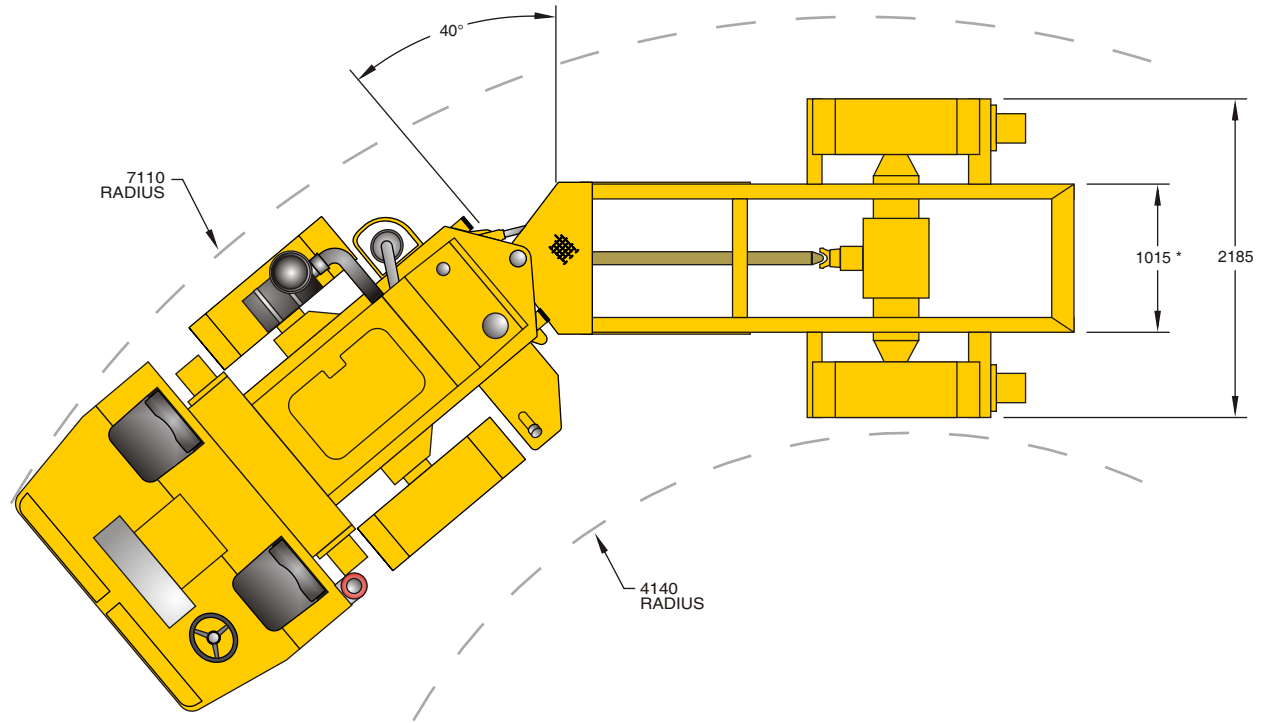
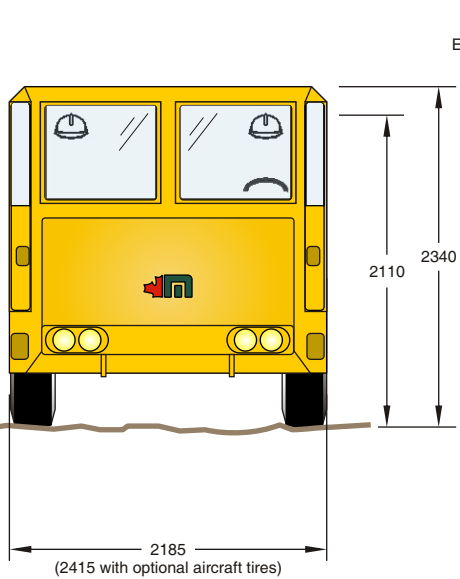




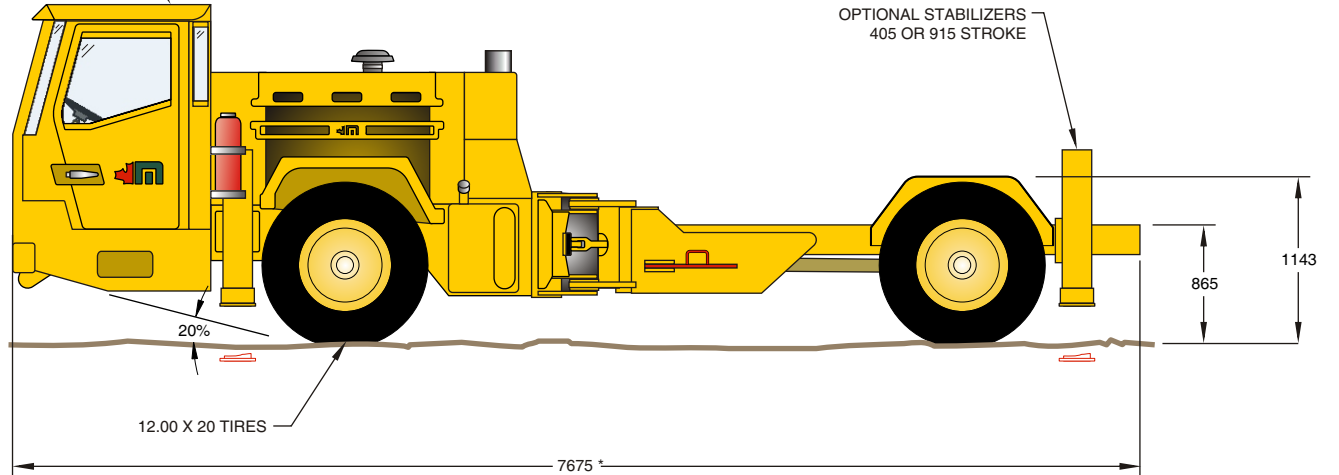
# CARRIER MEM-966



Form: SB-0124 • Mine-Mate™ • Carrier • Level A • IFL



ROPS / FOPS CANOPY  
OPTIONAL  
ENCLOSED CAB (SHOWN)





# CARRIER MEM-977

